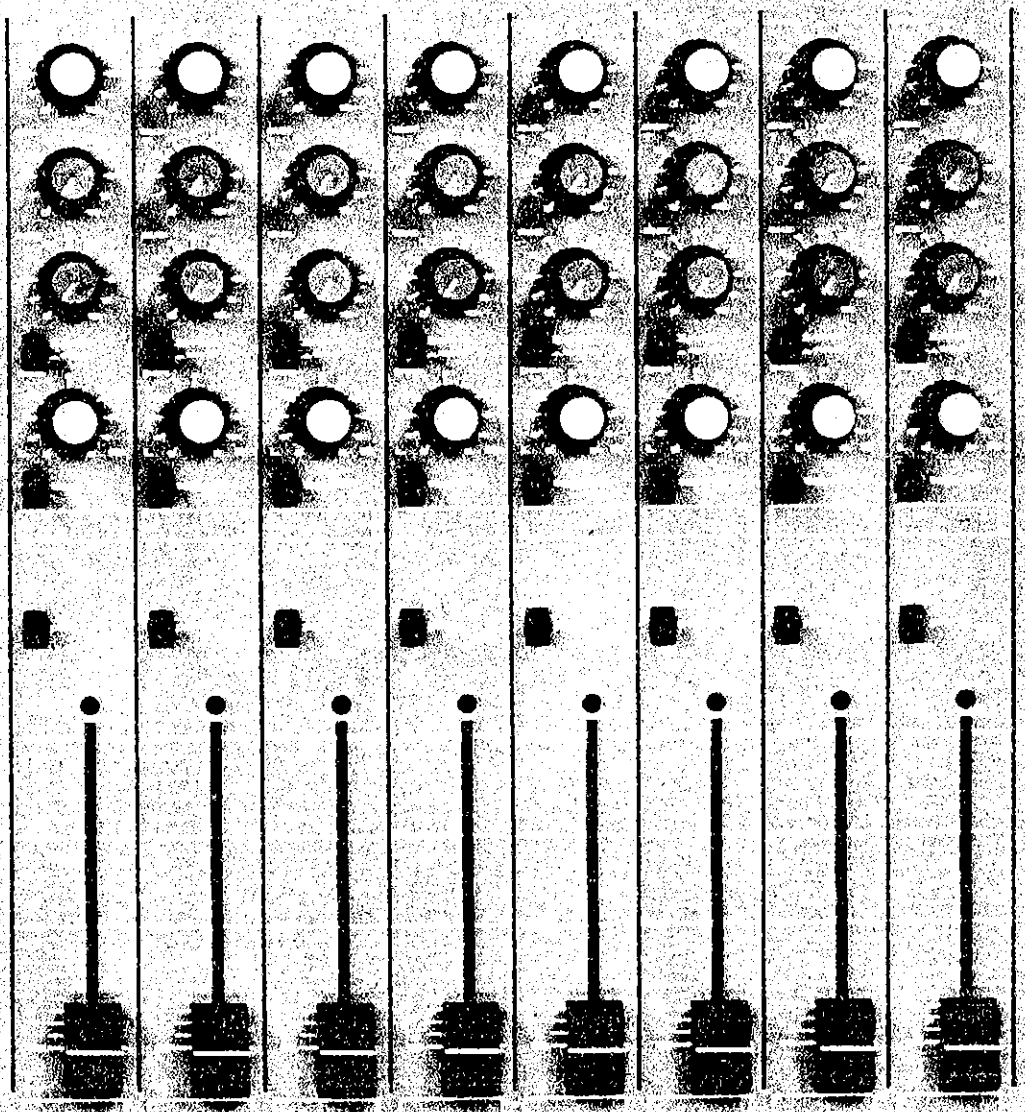
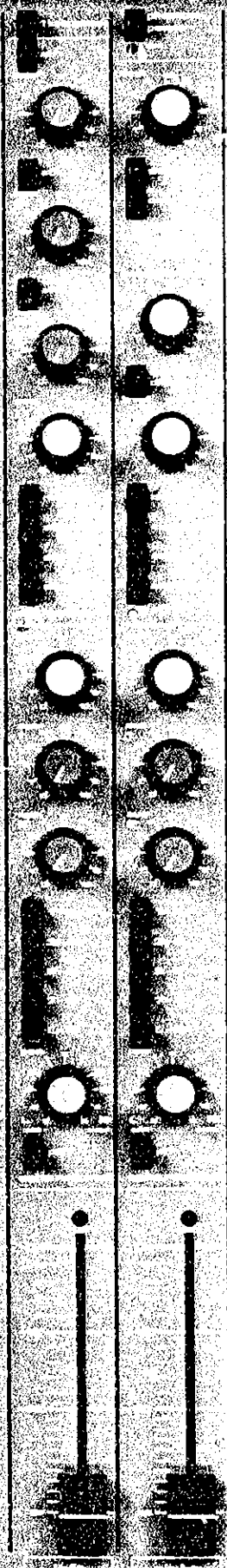




8

SCHEMATICS MARK II  
issue 2

ALLEN + HEATH London, England.



AHB SYSTEM 8 SCHEMATICS MARK II ISSUE II

THIS VERSION INCLUDES UP-DATED DRAWING COPIES  
WHERE KNOWN ERRORS HAVE BEEN CORRECTED.

T E C H N I C A L    B U L L E T I N

AHB SYSTEM 8      JANUARY 1985

SUBJECT: VU METER SERVICE REPLACEMENT

As a result of supply difficulties it has been necessary to introduce a variation in the type of meter fitted. In order to ensure correct supply to you of a replacement should this be necessary it is essential for us to be advised of the SERIAL NUMBER of your unit. This will be checked against records kept by AHB and used to provide you with the correct service part.

AHB

19.1.85

T.R.

AHB SYSTEM 8 PRODUCT RANGE: ALL MODELS

Improvement to the features offered on this range of products have been introduced as follows, the models are referred to as System 8 Mk II and replace the original models.

1. Channel input, group output and left/right faders are now 100mm travel ultra smooth type with improved attenuation characteristics and longer life.
2. Channel input sections all now include an additional push button EQ CUT for switching the equaliser out of action.
3. Connection of the multitrack recorder output is now required only at the TAPE INPUT jack sockets. Internal connections automatically route the programme to channel line inputs. Tape input 1 is internally connected to line input 1 and Tape 2 to line 2 etc. Insertion of a jack plug in the channel line input socket defeats the internal connection and allows the line input to receive a new programme source. See CONNECTIONS section of the OWNER HANDBOOK for details.
4. Power supplies now include +48v Phantom Power as standard.
5. Level matching for low level operation now adopts the nominal standard of 0.30v RMS at OVU in place of 0.32v RMS.
6. Push button 1kHz SLATE has been made white to distinguish it from adjacent controls.
7. TAPE INPUT gain is now increased to boost the loudness of off-tape programme in the stereo mix.
8. General specifications and performance other than the details above are unaltered.
9. Operator' Handbook Mk II and schematics book Mk II are now in use.

AHB Brighton  
21.2.84

To order spare parts for service replacement specify the items as described below.

FUNCTION	ITEM	AHB STOCK REF
Fader	100mm 10k Alps	AI0091
Fader knob	Black Alps	AJ0048
Fader screw	M3 CSK 5mm	AB0070
Meter	SQ10	AD0011
Meter lamp	8v 50MA SQ10	AD0013
Knob	6mm Brown	AJ0044
Knob cap	Red	AJ0045
	Brown	AJ0046
	Green	AJ0047
Pushbutton cap	4748 Black	AJ0028
Base screw	6AB x $\frac{3}{8}$ PAN	AB0062
Base clip		AB0111
Input Pot Gain	10KC metric bkt	AI0049
H.F.	100KA metric	AI0047
L.F.	100KA metric	AI0047
Mid	100KA metric	AI0047
Mid Freq	100KC x 2 metric	AI0048
Aux 1	47KB metric	AI0050
Aux 2	47KB metric	AI0050
Aux 3	47KB metric	AI0050
Pan	10KA metric bkt	AI0046
Output Pot Level	10KB metric	AI0043
Aux 1	47KB metric	AI0050
Aux 2/3	47KB metric	AI0050
Pan	10KA metric bkt	AI0046
Master Pot Aux 1	47KB metric bkt	AI0045
Aux 2	47KB metric	AI0050
Aux 3	47KB metric	AI0050
Cue	10KB x 2 metric	AI0044
Level	47KB metric	AI0050
Aux 1	47KB metric	AI0050
Aux 2	47KB metric	AI0050
Pan	10KA metric bkt	AI0046
Talkback level	47KB metric bkt	AI0045
Headphone level	10KB x 2 metric	AI0044
Monitor level	10KB x 2 metric	AI0044
Level	47KB metric	AI0050
Aux 1	47KB metric	AI0050
Aux 2	47KB metric	AI0050
Pan	10KA metric bkt	AI0046
Pushbutton Switch	Single	AL0076
Pushbutton Switch	Dual	AL0077
Pushbutton Switch	Four way	AL0082
Pushbutton Switch	Five way	AL0079
Pushbutton Switch	Talkback	AL0078
IC op-amp	TLO72CP	AE0046
Input transistor	ZTX214C	AE0031
Red LED	T1 Red	AE0086
Relay, PFL	NF2-24	AM0205

The following items are not common to Mark II and are still available for service replacement on Mark I models.

FUNCTION	ITEM	AHB STOCK REF
Fader	90mm 5k TBM	AIO089
Fader knobs	Black TBM	AJ0038
Fader screw	M3 CSK 10mm	AB0075
Spacer	M3 CLEAR x 6mm	AB0137

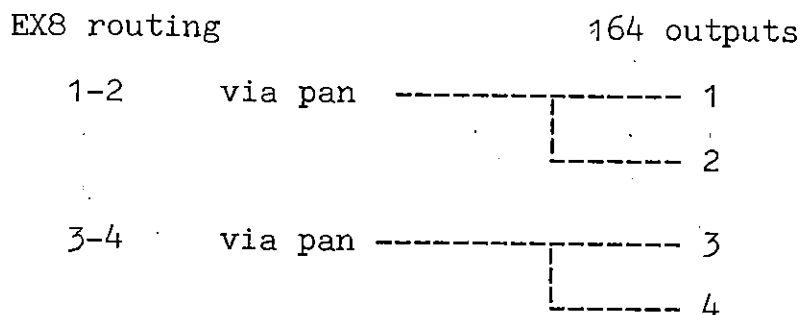
Technical Bulletin:

## AHB System 8: Expanding the 164 model

Input routing on the 164 model uses four pushbuttons 1, 2, 3, 4 for assigning inputs to outputs. The pan selects one of the pair chosen if two assigns are made.

Input routing on the EX8 input expander uses four pushbuttons 1-2, 3-4, 5-6, 7-8 for assigning inputs to outputs.

When an EX8 is added to a 164 using the standard Tie Line connector inputs on the EX8 are assigned to the four outputs of the 164 as follows:



EX8 routing pushbuttons 5-6, 7-8 are not used.

If this arrangement is not wanted a modification can be made within the EX8 to match the 164 input routing style, however the function will disagree with the panel markings on the EX8.

Reconnect the internal EX8 pcb harness to the output mix busses so that

- mix bussbar 4 goes to EX8 pcb input 2 (cct. K)
- mix bussbar 5 goes to EX8 pcb input 3 (cct. H)
- mix bussbar 8 goes to EX8 pcb input 4 (cct. I).

Leave mix bussbar 1 as it is. Disconnect mix bussbars 2, 3, 6, 7 from the EX8 pcb.

Allen and Heath Brenell Ltd.,  
69 Ship Street,  
BRIGHTON,  
East Sussex.

20th May 1983

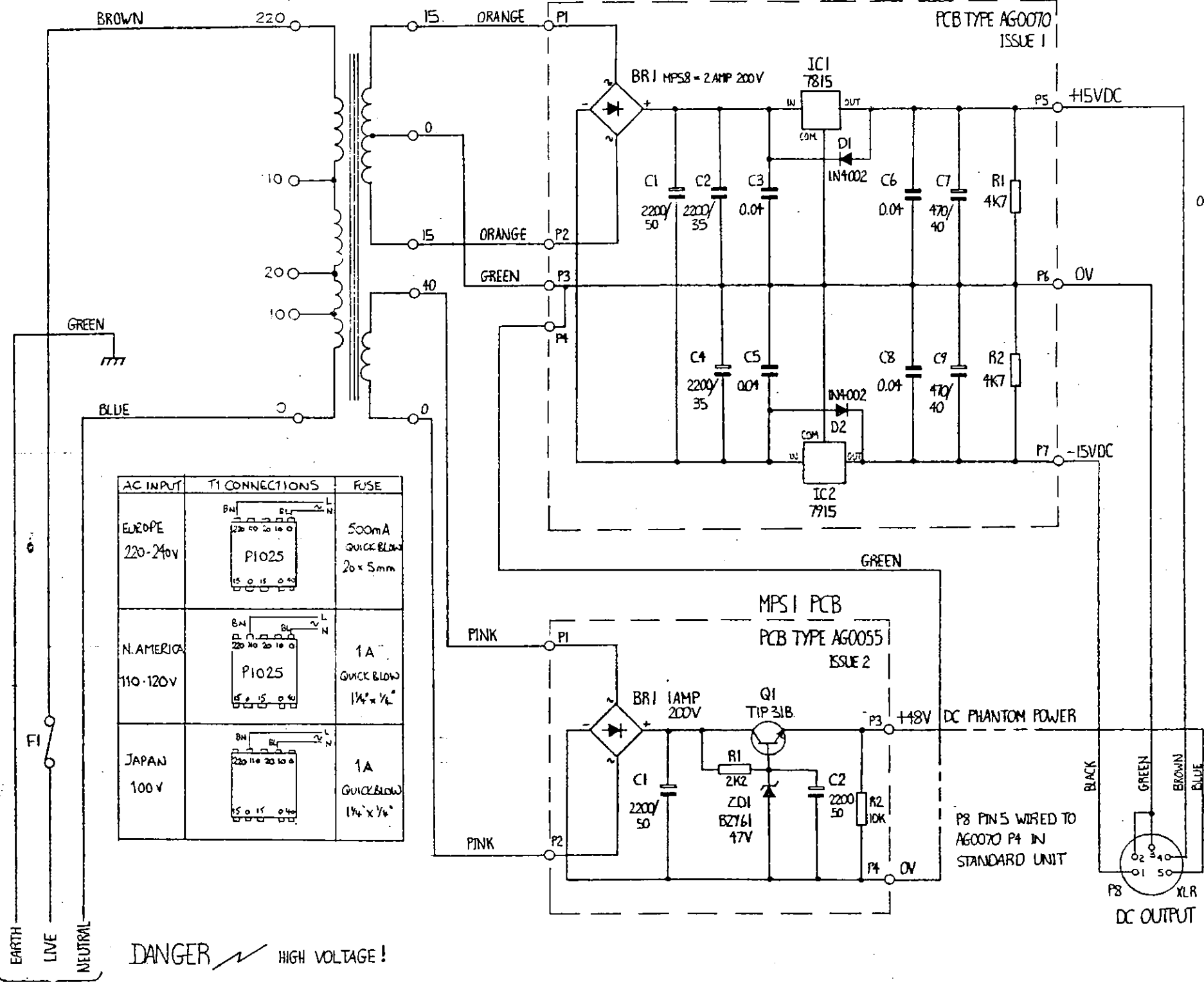
T1

MPS8 = TRANS-TRONIC P1025

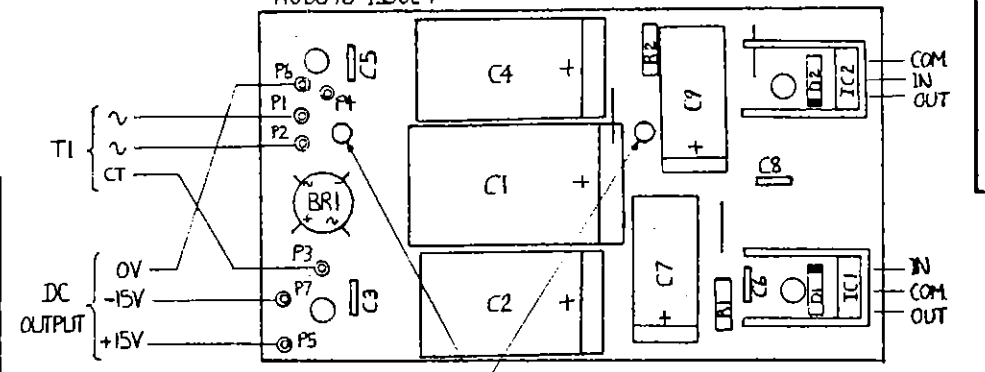
MPS 7-8 PCB

PCB TYPE AG0070  
ISSUE 1

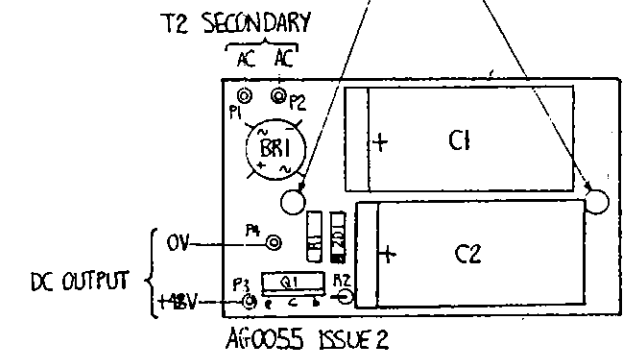
AG0070 ISSUE 1



AC INPUT	T1 CONNECTIONS	FUSE
EUROPE 220-240V		500mA QUICK BLOW 20 x 5mm
N. AMERICA 110-120V		1A QUICK BLOW 1 1/4" x 1/4"
JAPAN 100V		1A QUICK BLOW 1 1/4" x 1/4"



LOCATING HOLES FOR MPS1 PCB

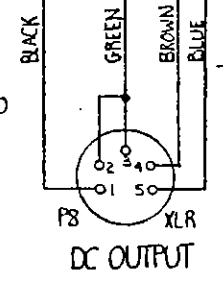


AG0055 ISSUE 2

MPS1 PCB

PCB TYPE AG0055  
ISSUE 2

P8 PINS WIRED TO  
AG0070 P4 IN  
STANDARD UNIT



MPS8P DETAIL.

EARTH LIVE NEUTRAL  
DANGER HIGH VOLTAGE!  
AC MAINS INPUT 50/60 HZ SEE NOTE ABOVE

No.	DESCRIPTION	CHKD	APPD	DATE
5	MPS8P ONLY.			12.84
REVISIONS				

AHB POWER SUPPLY MPS8P CIRCUITS AND GENERAL ARRANGEMENT  
INCLUDING PHANTOM POWER.

DRAWN	TRACED	CHECKED	APPROVED	DATE	SCALE
CD				9-9-82	

DRAWING No. 283 ISSUE 5

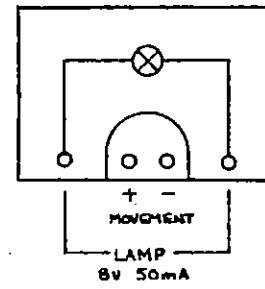


SYSTEM 8: METERPOD BUSBAR CONNECTIONS

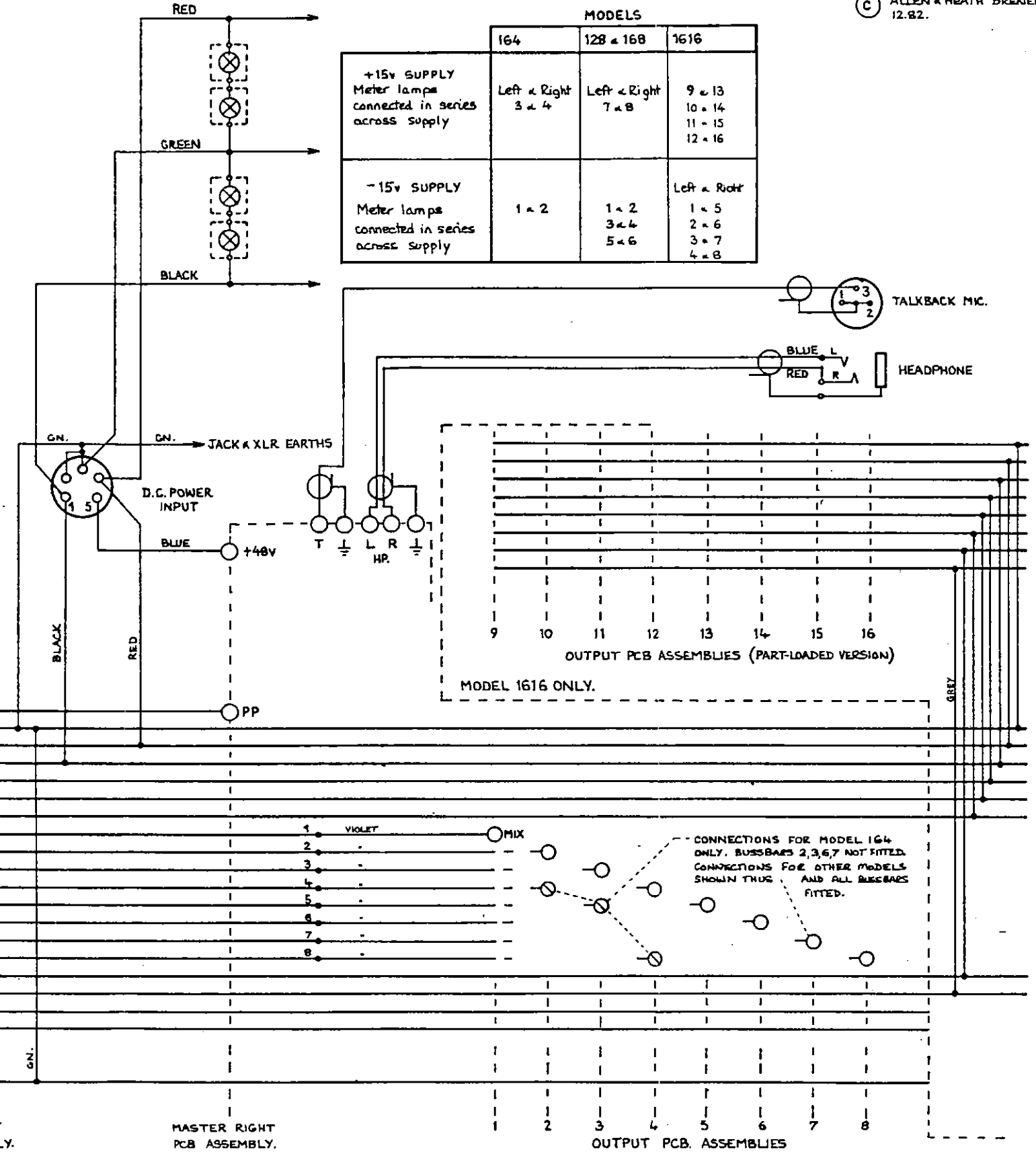
DWG. 282 iss. 1

© ALLEN & HEATH BRENNELL LTD. 12.82.

DRG. No. 282 iss. 1



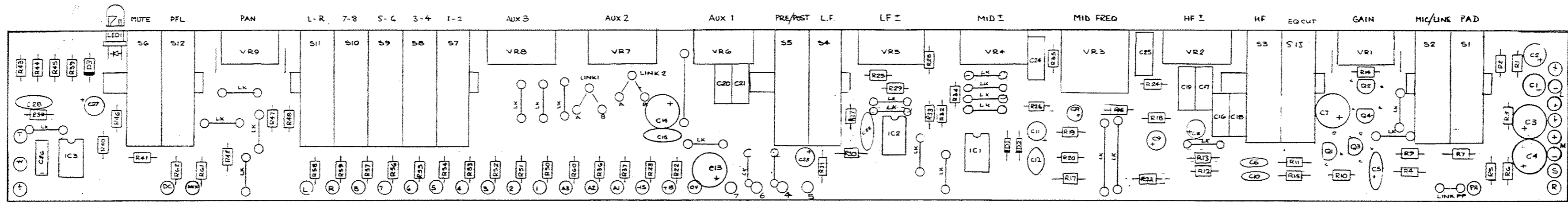
	MODELS		
	164	128 & 168	1616
<b>+15v SUPPLY</b> Meter lamps connected in series across supply	Left & Right 3 & 4	Left & Right 7 & 8	9 & 13 10 & 14 11 & 15 12 & 16
<b>-15v SUPPLY</b> Meter lamps connected in series across supply	1 & 2	1 & 2 3 & 4 5 & 6	Left & Right 1 & 5 2 & 6 3 & 7 4 & 8



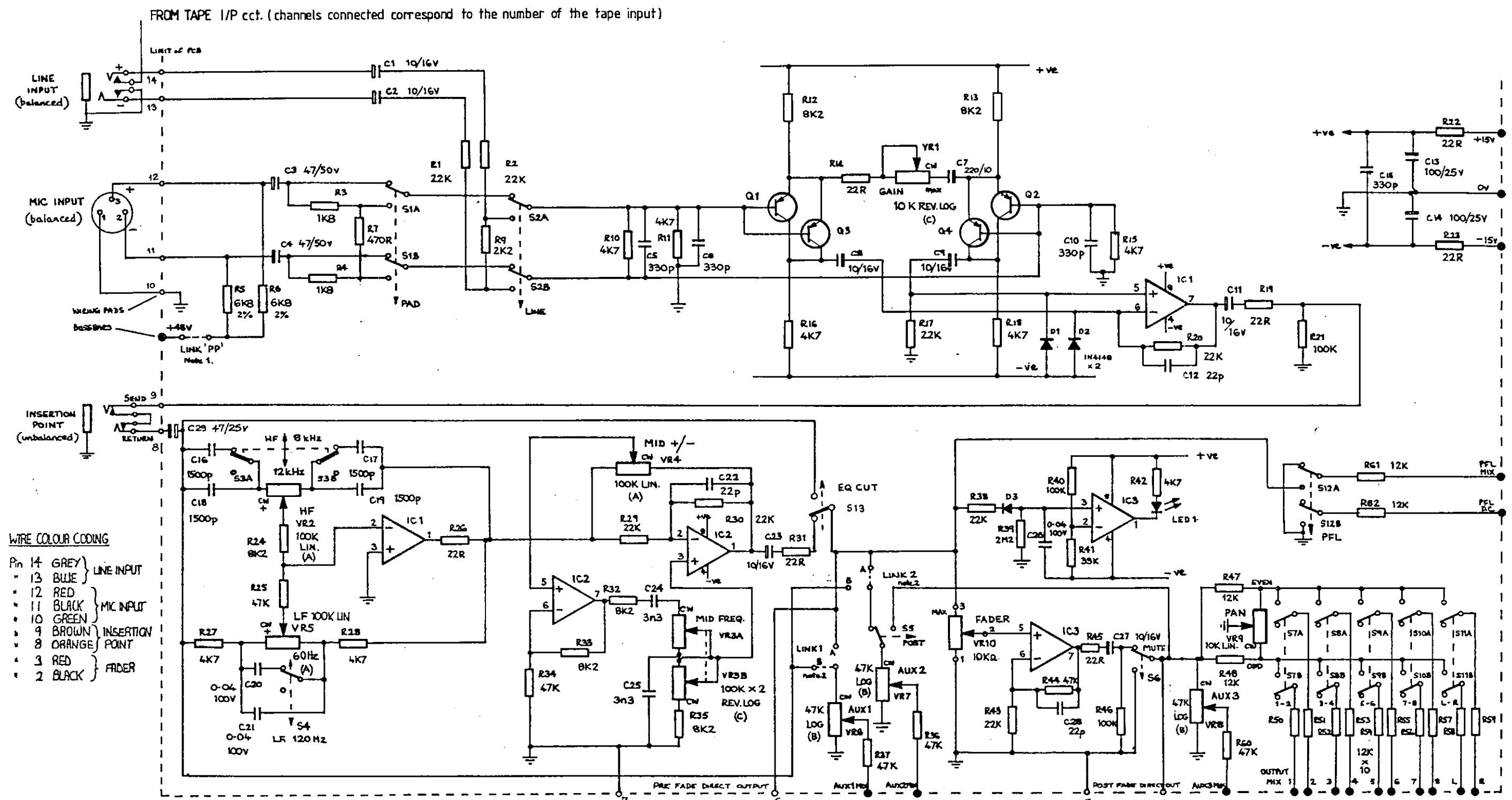
COMMON BUSBARS	
FUNCTION	CODE
PHANTOM POWER SUPPLY +48V.	P.
ELECTRONIC SUPPLY 0v.	0v.
" +15v.	+15v.
" -15v.	-15v.
AUXILIARY MIX 1	A1.
" 2	A2.
" 3	A3.
OUTPUT MIX 1	1.
" 2	2.
" 3	3.
" 4	4.
" 5	5.
" 6	6.
" 7	7.
" 8	8.
STEREO MIX LEFT	L.
" RIGHT	R.
PRE-FADE LISTEN MIX	PFL MIX.
" D.C.	PFL D.C.
FADER EARTH	-

CONNECTIONS FOR MODEL 164 ONLY. BUSBARS 2,3,6,7 NOT FITTED. CONNECTIONS FOR OTHER MODELS SHOWN THUS AND ALL BUSBARS FITTED.

<p>SYSTEM 8 Mk. II</p> <p>ALLEN &amp; HEATH BRENNELL LTD.</p> <p>© 1982</p>		<p>METERPOD &amp; BUSBAR CONNECTIONS</p>		<p>DRAWN</p> <p>R</p>	<p>TRACED</p>	<p>CHECKED</p> <p>R</p>	<p>APPROVED</p> <p>R</p>	<p>DATE</p> <p>2.84</p>	<p>SCALE</p>										
<p>REVISIONS</p> <table border="1"> <thead> <tr> <th>No.</th> <th>DESCRIPTION</th> <th>CHKD</th> <th>APPD.</th> <th>DATE</th> </tr> </thead> <tbody> <tr> <td> </td> <td> </td> <td> </td> <td> </td> <td> </td> </tr> </tbody> </table>				No.	DESCRIPTION	CHKD	APPD.	DATE						<p>DRAWING No. 282 issue 1</p>					
No.	DESCRIPTION	CHKD	APPD.	DATE															



PCB ASSEMBLY DIAGRAM: INPUT PCB TYPE AG0060 ISSUE 2 NOV 83 AHB LTD.

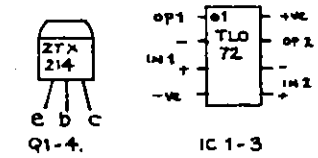


**WIRE COLOUR CODING**

Pin 14	GREY	} LINE INPUT
Pin 13	BLUE	
Pin 12	RED	} MIC INPUT
Pin 11	BLACK	
Pin 10	GREEN	} INSERTION POINT
Pin 9	BROWN	
Pin 8	ORANGE	} FADER
Pin 3	RED	
Pin 2	BLACK	

- NOTES:**
- 1 LINK 'PP' is fitted at time of manufacture and may be removed by cutting to disconnect +48volt phantom power from the mic input.
  - 2 Link 1 is fitted at time of manufacture in position A (AUX1 POST-EQ) and may be changed by soldering to position B (AUX1 PRE-EQ)  
Link 2 . . . . . position A (AUX2 POST-EQ) . . . . . to position B (AUX2 PRE-EQ)
  - 3 Switches are shown in the OUT position.
  - 4 R8, C28 not fitted.
  - 5 Resistors 1/4W 5% unless specified.
  - 6 After S/N 513 added and VR10 changed to 10KΩ (ALPS).

© ALLEN & HEATH BRENNELL LTD. 1982.



**SYSTEM 8: INPUT CHANNEL CIRCUIT**  
DWG 277 ISS.3 PCB TYPE AG0060 ISS.2 NOV 1983

No.	DESCRIPTION	CHKD	APPD	DATE
155.3	CORRECTIONS AND EQ CUT SWITCH ADDED	g.h.r.	g.h.r.	11.83
155.2	CORRECTIONS	g.h.r.	g.h.r.	1.83.

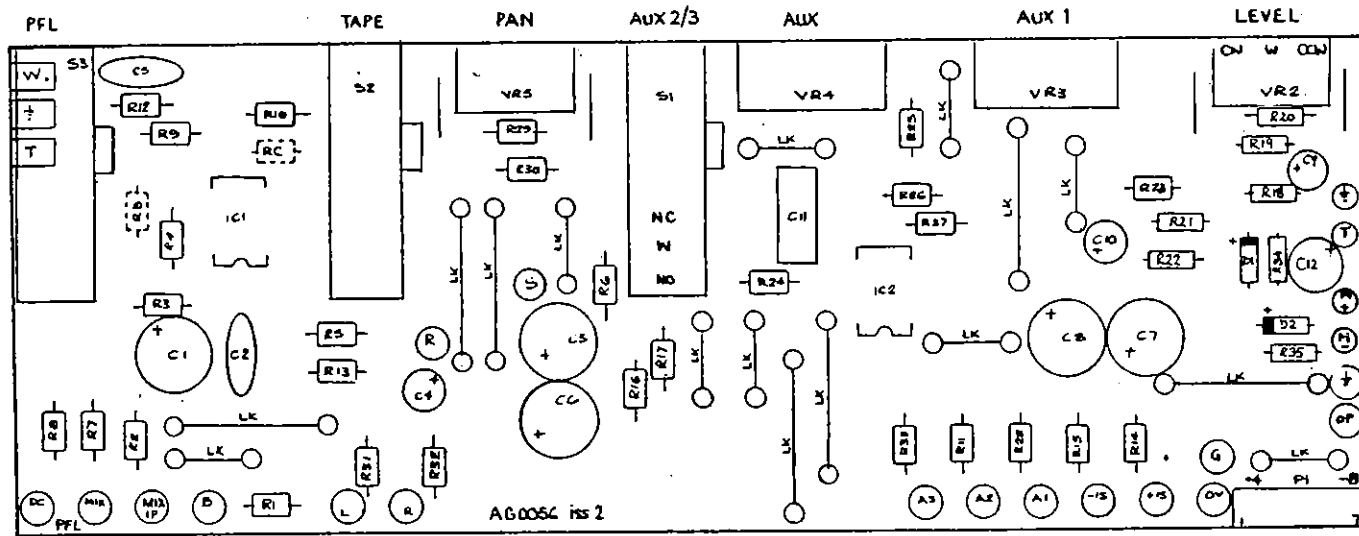
ALLEN & HEATH SYSTEM 8 Mk II

CIRCUIT DIAGRAM: INPUT PCB AG0060 ISS 2.

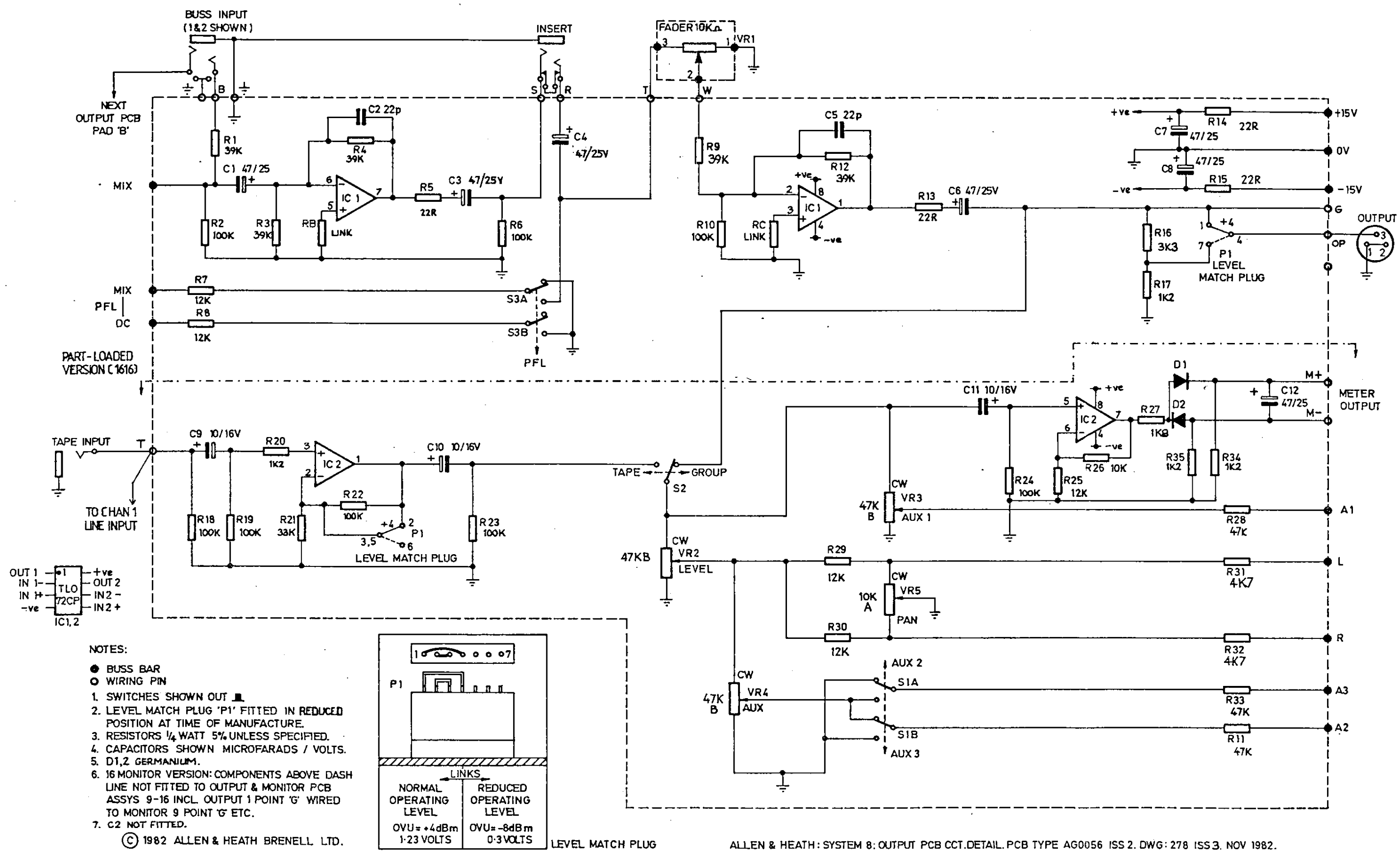
DRAWN	TRACED	CHECKED	APPROVED	DATE	SCALE
R	R	R	R	2.84	-

**DRAWING No. 277, iss. 3**

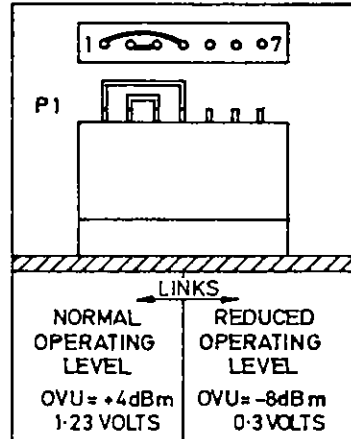
# OUTPUT PCB



PCB ASSEMBLY DIAGRAM: OUTPUT PCB TYPE AG0056 issue 2 Nov. 1992. AME Ltd.



- NOTES:
- BUSS BAR
  - WIRING PIN
  - 1. SWITCHES SHOWN OUT
  - 2. LEVEL MATCH PLUG 'P1' FITTED IN REDUCED POSITION AT TIME OF MANUFACTURE.
  - 3. RESISTORS 1/4 WATT 5% UNLESS SPECIFIED.
  - 4. CAPACITORS SHOWN MICROFARADS / VOLTS.
  - 5. D1,2 GERMANIUM.
  - 6. 16 MONITOR VERSION: COMPONENTS ABOVE DASH LINE NOT FITTED TO OUTPUT & MONITOR PCB ASSYS 9-16 INCL. OUTPUT 1 POINT 'G' WIRED TO MONITOR 9 POINT 'G' ETC.
  - 7. C2 NOT FITTED.
- © 1982 ALLEN & HEATH BRENELL LTD.



ALLEN & HEATH: SYSTEM 8: OUTPUT PCB CCT.DETAIL. PCB TYPE AG0056 ISS 2. DWG: 278 ISS 3. NOV 1982.

No.	DESCRIPTION	CHKD	APPD	DATE
REVISIONS FOR MK II MODEL				
REVISIONS				

ALLEN & HEATH SYSTEM 8 mk II

CIRCUIT DETAIL; OUTPUT PCB  
TYPE AHB 82 OUTPUT  
AG0056 ISS. 2.

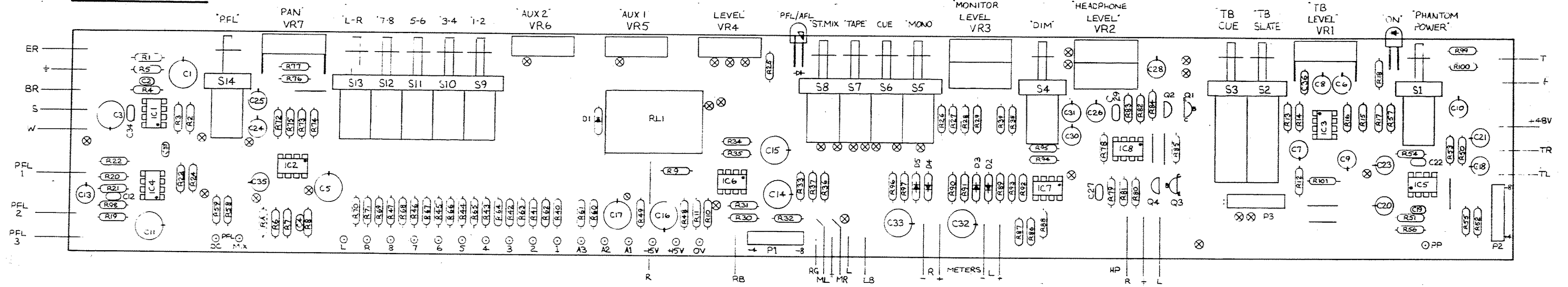
DRAWN	TRACED	CHECKED	APPROVED	DATE	SCALE
R	RA6.WDS	R	R	FEB 84	—

DRAWING No. 278 ISS. 3.

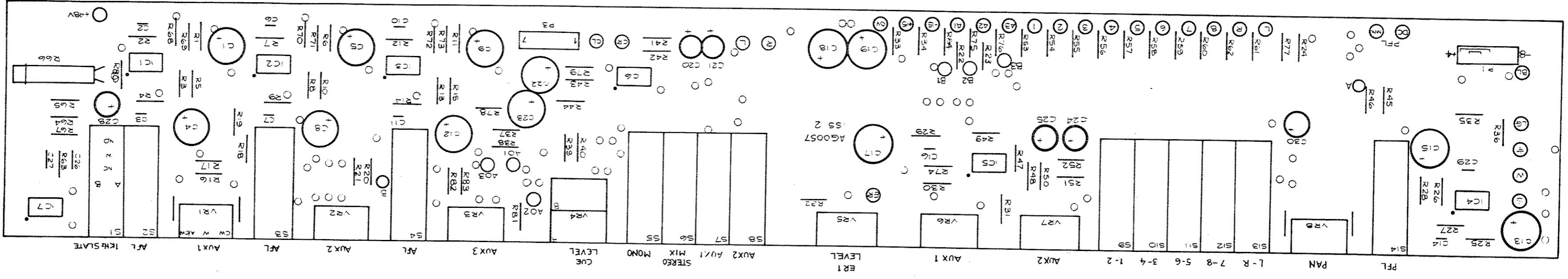
**MASTER RIGHT PCB**

PCB ASSEMBLY DIAGRAM: MASTER RIGHT PCB TYPE AG0058 ISSUE 3

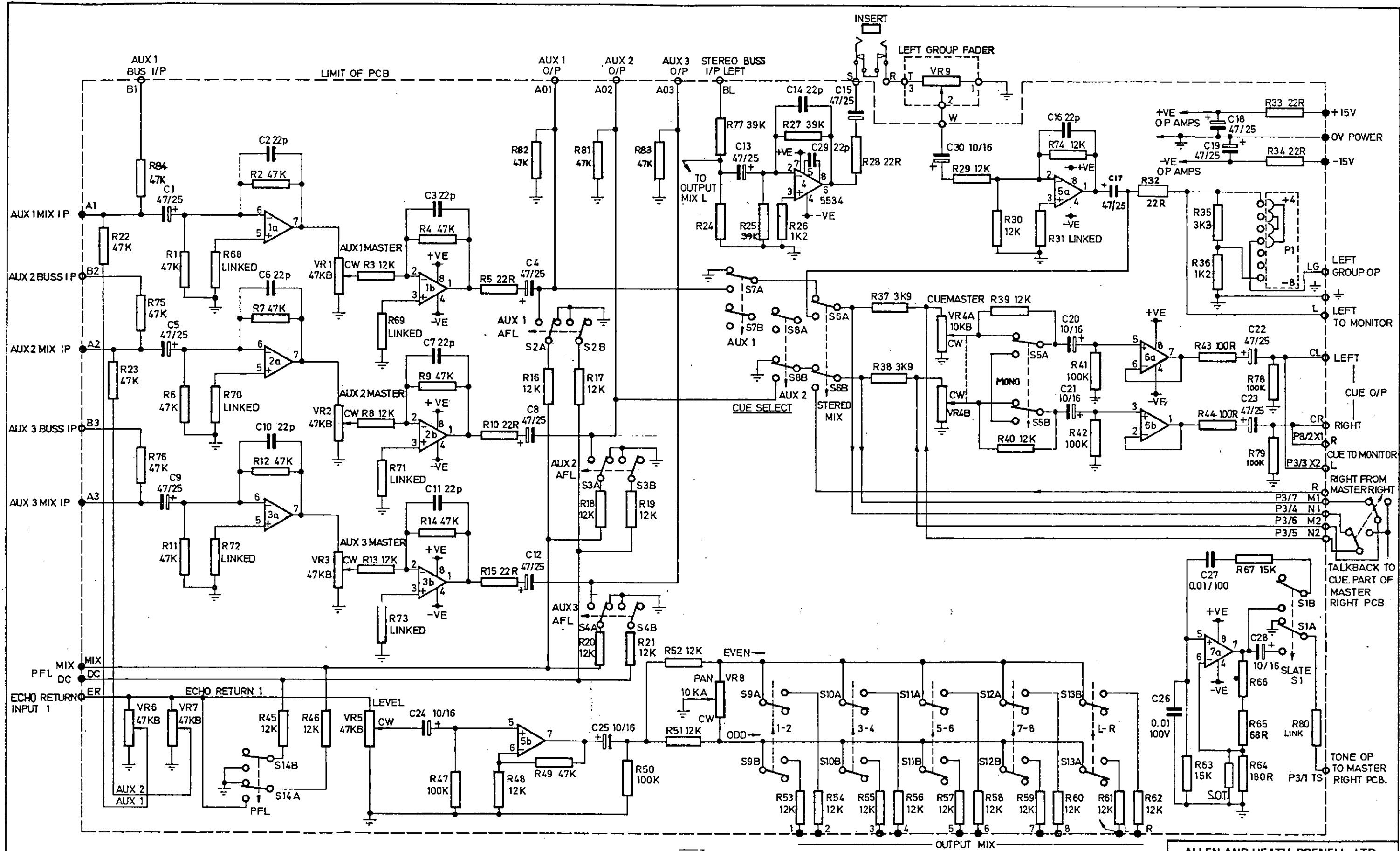
1984 AHB LTD.



MASTER LEFT PCB



PCB ASSEMBLY DIAGRAM : MASTER LEFT PCB TYPE ACO057 ISSUE 3 NOV. 1984 AHB LTB.



© 1982

○ WIRING PAD  
 ● BUS BAR  
 Switches shown in OUT position.  
 Resistors 1/4W 5% unless specified.  
 P1 fitted - 8 position in manuf'c.

ICs 1,2,3,5,6,7, TL072CP.  
 IC 4 NE5534.  
 Capacitors C3,7,11,29 not fitted.  
 Resistor R24 not fitted.

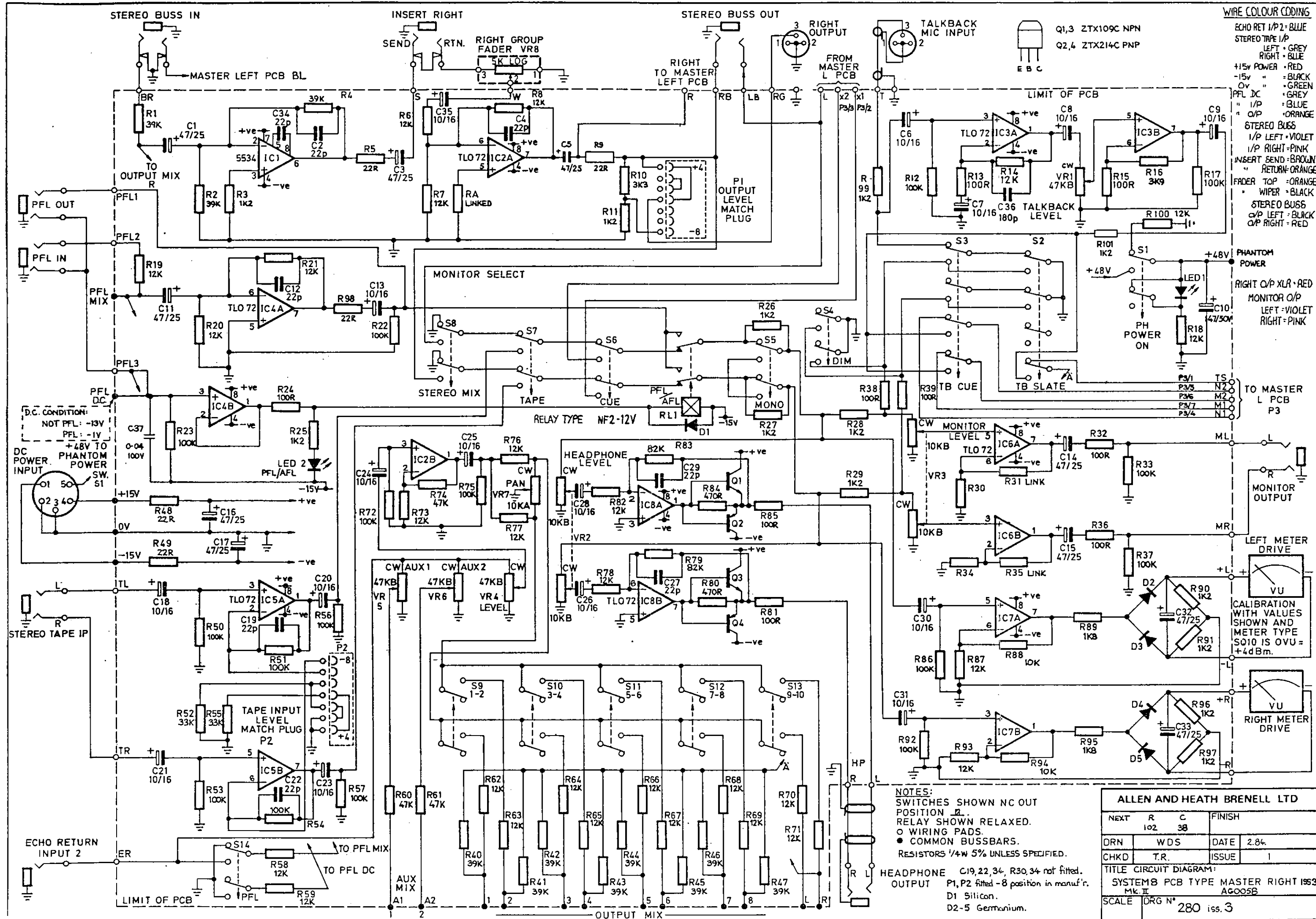
WIRE COLOUR CODING  
 Pin 1 ORANGE }  
 Pin 2 BROWN } AUX O/P  
 Pin 3 VIOLET }  
 ECHO RETURN - BLUE  
 STEREO BUSS I/P LEFT - VIOLET  
 INSERT SEND - BROWN  
 " RETURN - ORANGE

FADER TOP - ORANGE  
 " WIPER - BLACK  
 LEFT O/P - BLACK  
 LEFT TO MON - GREY  
 CUE O/P LEFT - BLACK  
 " RIGHT - RED

ALLEN AND HEATH BRENNELL LTD

NEXT:	R	C	FINISH
	85	31	
DRN	RAG	WDS	DATE 2.84.
CHKD			ISSUE 3
TITLE SYSTEM 8 PCB TYPE MASTER			
LEFT. AG0057 Iss 3. MK.II			
SCALE	DRG N° 279 Iss. 3		





**WIRE COLOUR CODING**

ECHO RET I/P2 - BLUE  
 STEREO TAPE I/P  
 LEFT - GREY  
 RIGHT - BLUE  
 +15V POWER - RED  
 -15V " - BLACK  
 0V " - GREEN  
 PFL DC - GREY  
 " I/P - BLUE  
 " O/P - ORANGE  
 STEREO BUSS  
 I/P LEFT - VIOLET  
 I/P RIGHT - PINK  
 INSERT SEND - BROWN  
 " RETURN - ORANGE  
 FADER TOP - ORANGE  
 " WIPER - BLACK  
 STEREO BUSS  
 O/P LEFT - BLACK  
 O/P RIGHT - RED

Q1,3 ZTX109C NPN  
 Q2,4 ZTX214C PNP

E B C

PHANTOM POWER  
 +48V  
 LED1  
 PH POWER ON  
 R18 12K  
 C10 47/50M

RIGHT O/P XLR - RED  
 MONITOR O/P  
 LEFT - VIOLET  
 RIGHT - PINK

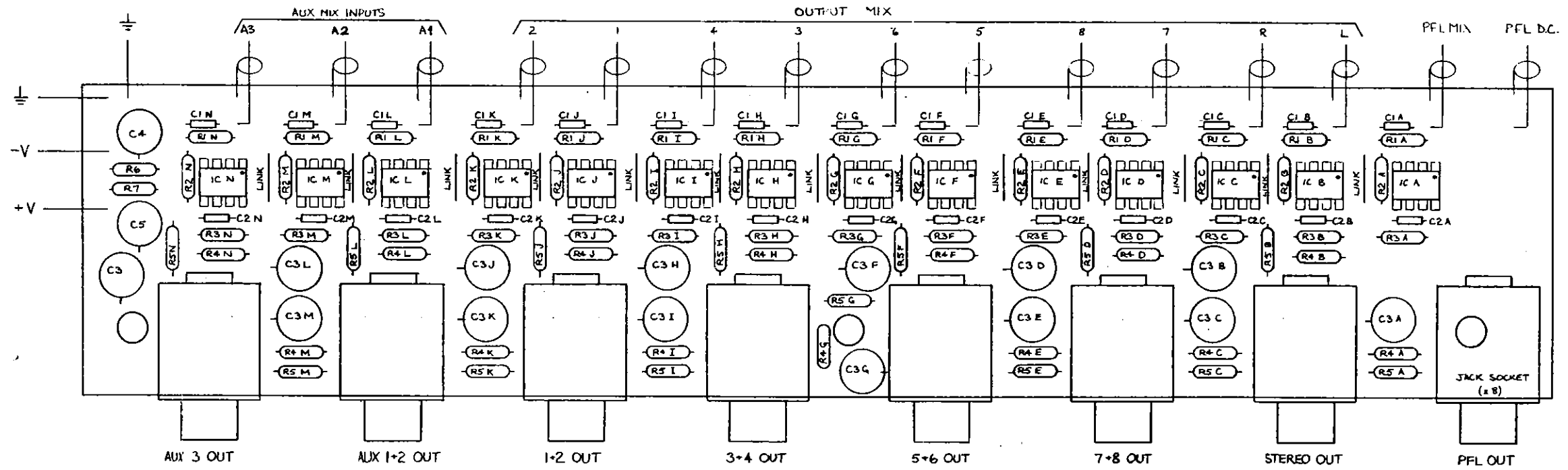
TO MASTER L PCB  
 P3  
 P3/1 N2  
 P3/5 M2  
 P3/6 M2  
 P3/7 M1  
 P3/4 N1

**NOTES:**  
 SWITCHES SHOWN NC OUT POSITION  $\downarrow$ .  
 RELAY SHOWN RELAXED.  
 ○ WIRING PADS.  
 ● COMMON BUSSBARS.  
 RESISTORS 1/4W 5% UNLESS SPECIFIED.

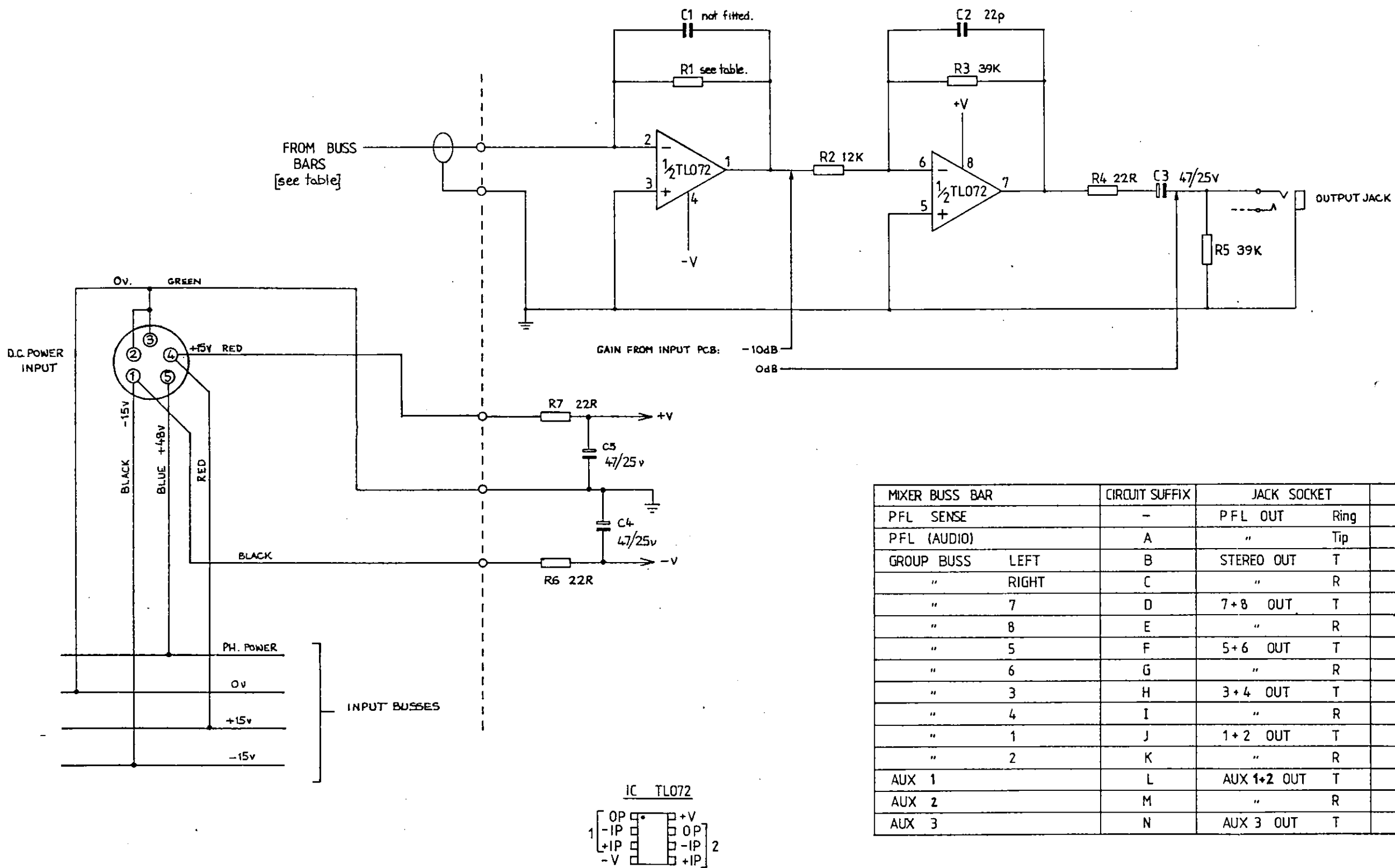
HEADPHONE OUTPUT C19, 22, 34, R30, 34 not fitted.  
 P1, P2 fitted - 8 position in manuf'r.  
 D1 Silicon.  
 D2-5 Germanium.

ALLEN AND HEATH BRENELL LTD			
NEXT	R	C	FINISH
DRN	WDS	DATE	2.84.
CHKD	T.R.	ISSUE	1
TITLE CIRCUIT DIAGRAM: SYSTEM8 PCB TYPE MASTER RIGHT 1953 Mk. II AGO05B			
SCALE	DRG N° 280 iss. 3		

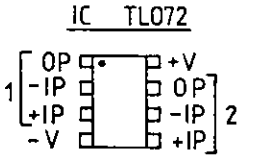
**EX 8 PCB**



PCB ASSEMBLY DIAGRAM: PCB TYPE EX 8 AG0059 iss 1 AHB Ltd. Nov 1982.



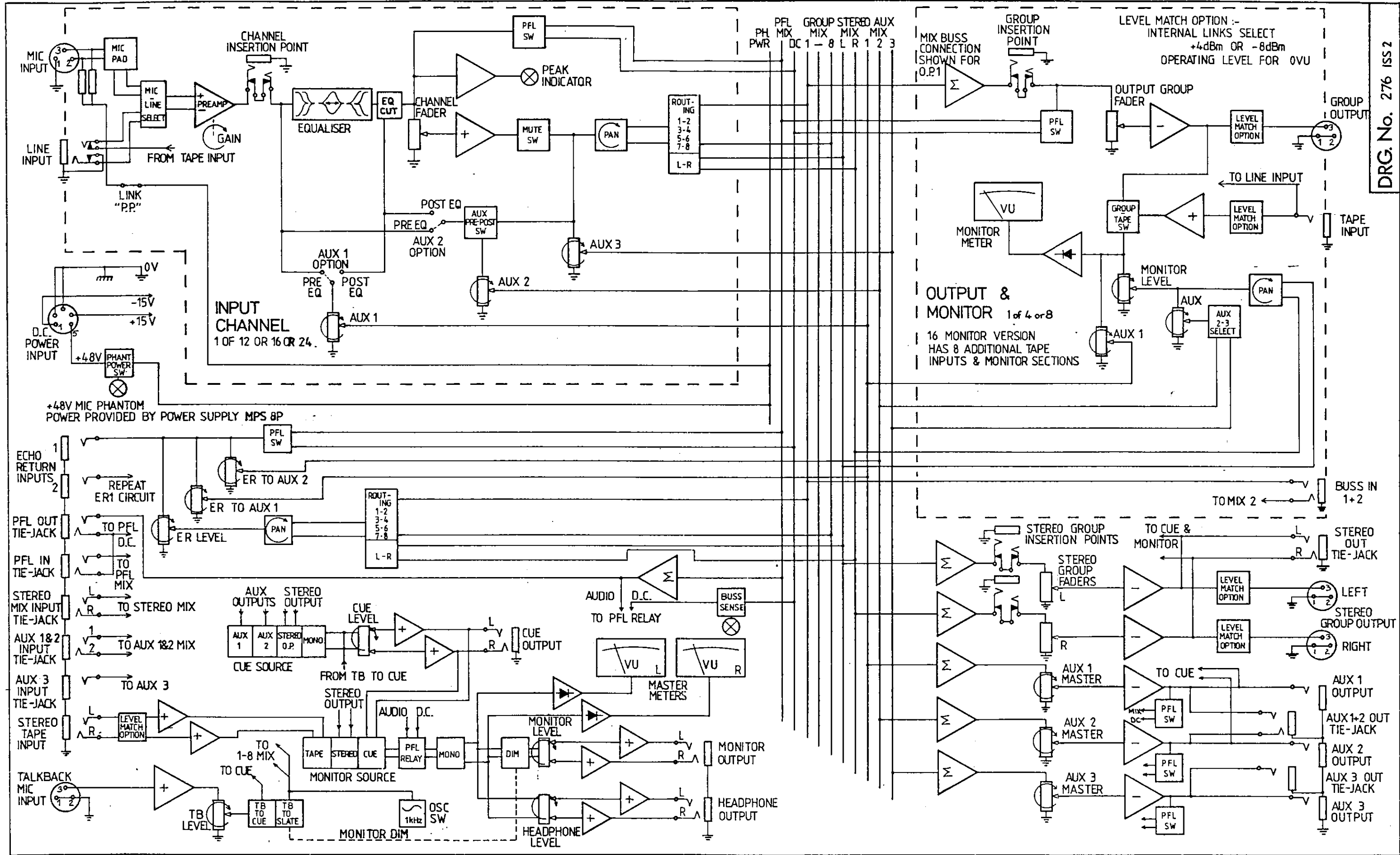
MIXER BUSS BAR	CIRCUIT SUFFIX	JACK SOCKET	R1
PFL SENSE	-	PFL OUT Ring	-
PFL (AUDIO)	A	" Tip	3K9
GROUP BUSS LEFT	B	STEREO OUT T	12K
" RIGHT	C	" R	12K
" 7	D	7+8 OUT T	12K
" 8	E	" R	12K
" 5	F	5+6 OUT T	12K
" 6	G	" R	12K
" 3	H	3+4 OUT T	12K
" 4	I	" R	12K
" 1	J	1+2 OUT T	12K
" 2	K	" R	12K
AUX 1	L	AUX 1+2 OUT T	15K
AUX 2	M	" R	15K
AUX 3	N	AUX 3 OUT T	15K



© ALLEN & HEATH BRENELL LTD. 1982

SYSTEM 8 : CIRCUIT DIAGRAM PCB TYPE EX8 AG0059 iss 1. DWG. 281 iss.2. DEC. 1982.

CIRCUIT DIAGRAM: PCB TYPE AG0059 EX8 iss 1.		DRAWN	TRACED	CHECKED	APPROVED	DATE	SCALE
ALLEN & HEATH SYSTEM 8		MA		R	R	2.84	
AHB LTD. DEC. 1982.		DRAWING No. 281 issue 2					
No.	DESCRIPTION						
REVISIONS							



SYSTEM 8: SYSTEM SCHEMATIC mk II

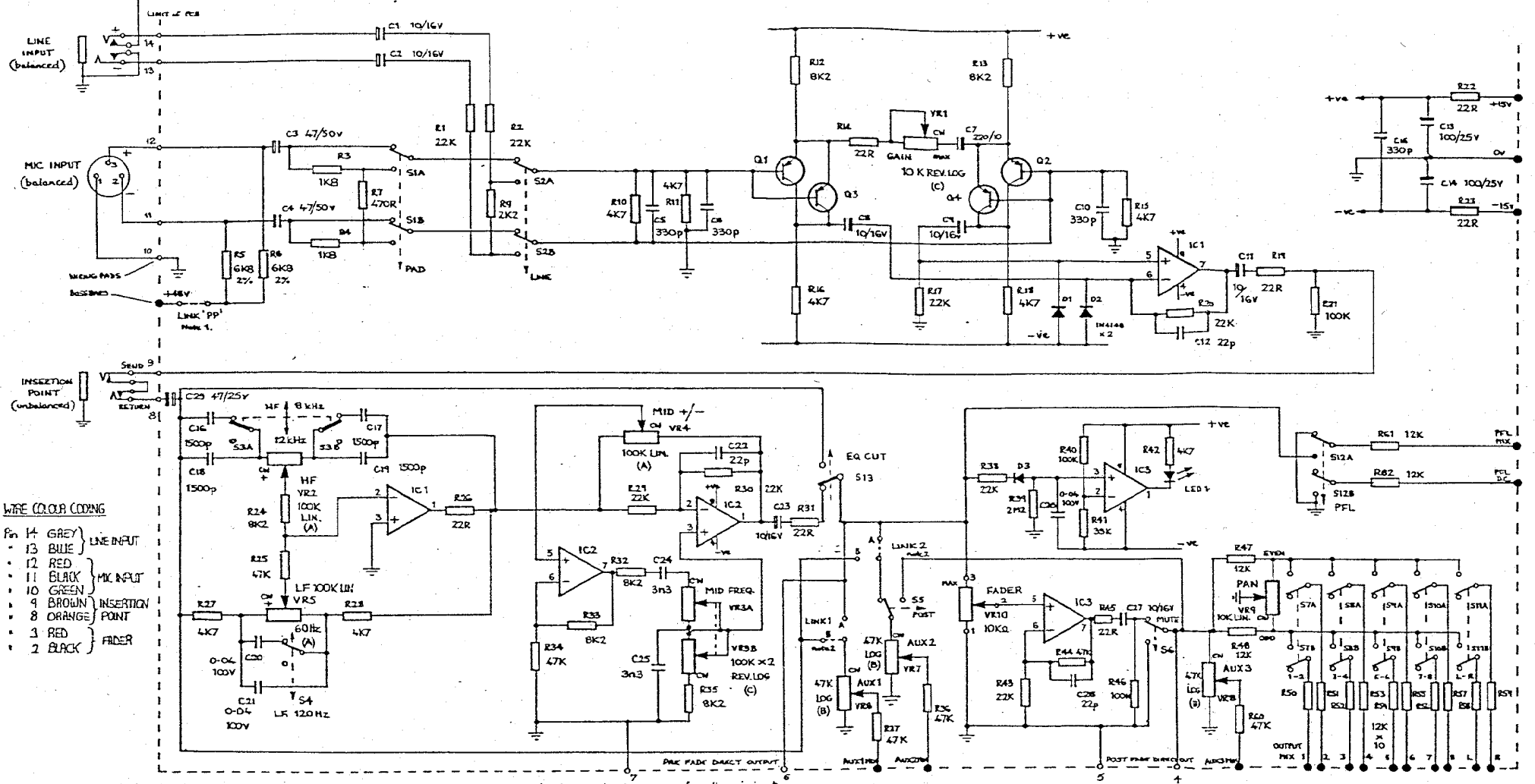
No.	DESCRIPTION	CHKD	APPD	DATE
REVISIONS				

DRAWN	TRACED	CHECKED	APPROVED	DATE	SCALE
R	MA	R	R		

© 1982 ALLEN & HEATH, BRENNELL LTD.

DRAWING No. 276 ISS 2 2-84

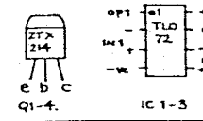
FROM TAPE I/P cct. (channels connected correspond to the number of the tape input)



- WIRE COLOUR CODING**
- Pin 14 GREY } LINE INPUT
  - 13 BLUE }
  - 12 RED }
  - 11 BLACK } MIC INPUT
  - 10 GREEN }
  - 4 BROWN } INSERTION POINT
  - 8 ORANGE }
  - 3 RED } FADER
  - 2 BLACK }

- NOTES:**
- 1 Link 'PP' is fitted at time of manufacture and may be removed by cutting to disconnect +48v phantom power from the mic input.
  - 2 Link 1 is fitted at time of manufacture in position A (AUX1 POST-EQ) and may be changed by soldering to position B (AUX1 PRE-EQ).  
Link 2 - - - - - position A (AUX2 POST-EQ) - - - - - to position B (AUX2 PRE-EQ)
  - 3 Switches are shown in the OUT position.
  - 4 RB, C26 not fitted.
  - 5 Resistors 1/4W 5% unless specified.
  - 6 After 5/4 513 added and VR10 changed to 10K (ALPS).

© ALLEN & HEATH BOWELL LTD. 1982



**SYSTEM 8: INPUT CHANNEL CIRCUIT**  
 DWG 277 Iss.3 PCB TYPE AG0060 Iss.2 NOV 1983

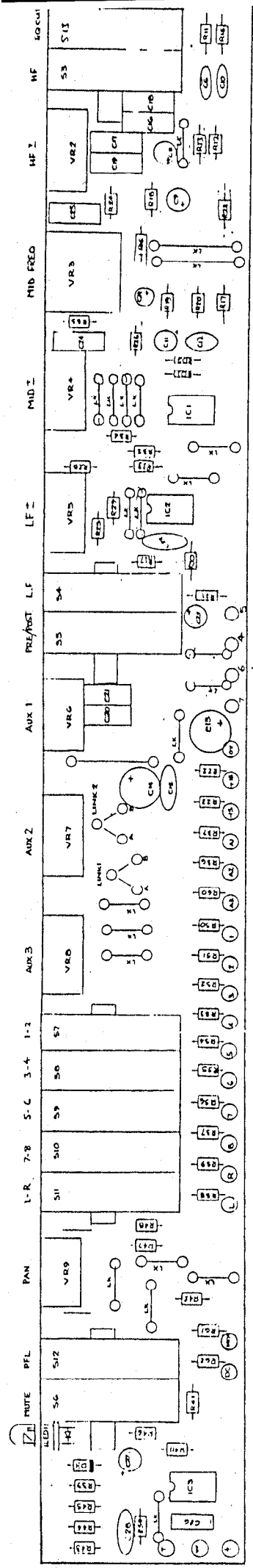
No.	DESCRIPTION	CHKD	APPD.	DATE
153.3	CORRECTIONS AND EQ CUT SWITCH ADDED	G.H.R.	J.M.K.	11-83
153.2	CORRECTIONS			1-83

ALLEN & HEATH SYSTEM 8 MkII

CIRCUIT DIAGRAM: INPUT PCB AG0060 ISS.2.

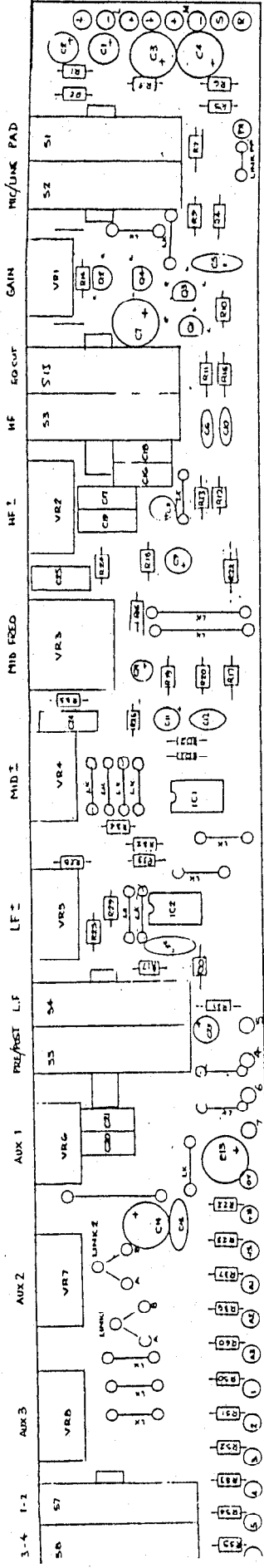
DRAWN	TRACED	CHECKED	APPROVED	DATE	SCALE
R	R	R	R	2.84	-

**DRAWING No. 277. Iss.3**

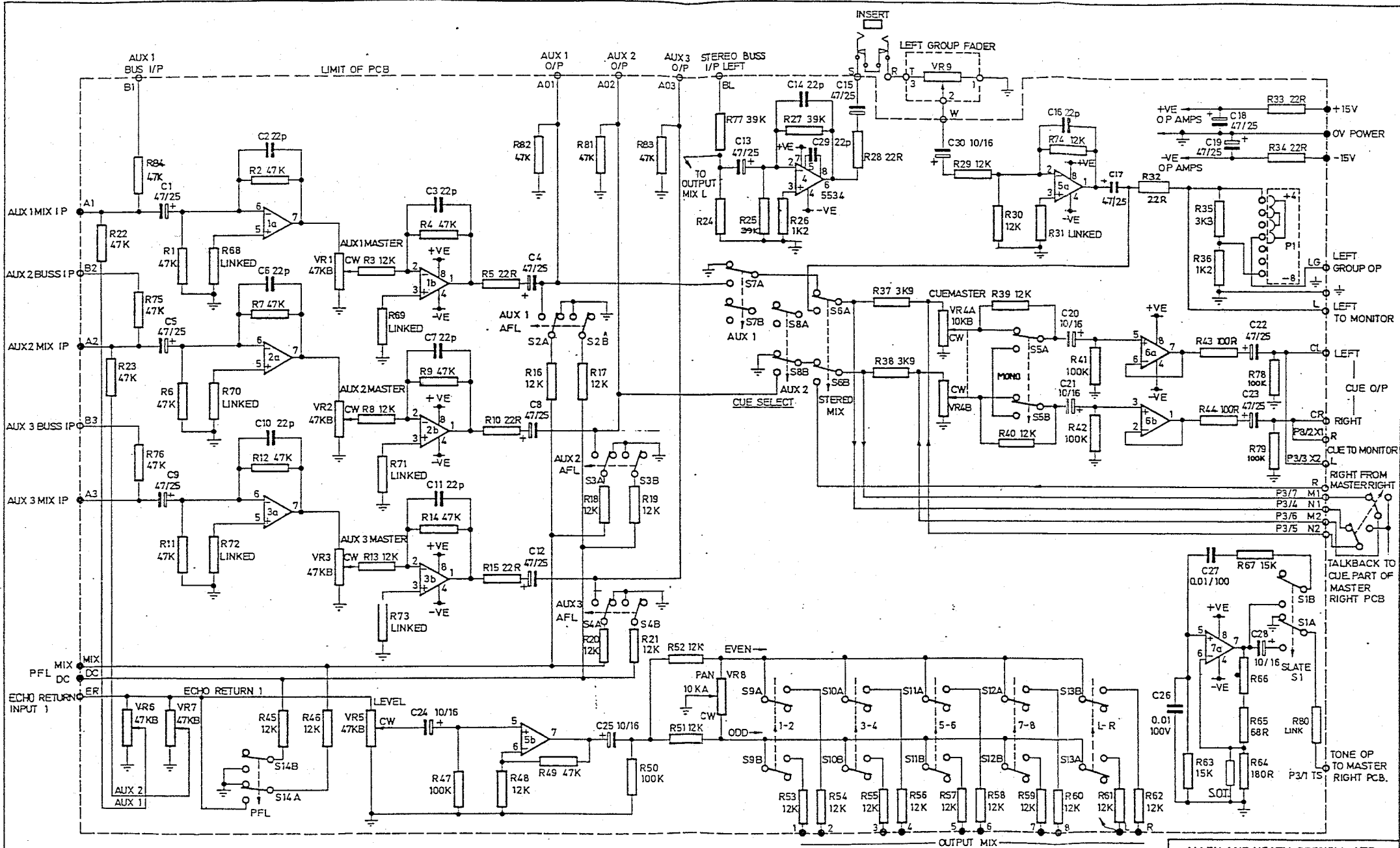


PRE FREQ  
POST FREQ  
DIRECT OUT

PCB ASSEMBLY DIAGRAM: INPUT PCB TYPE AG0060 ISSUE 2 NOV 83 AHS Ltd.



PCB ASSEMBLY DIAGRAM: INPUT PCB TYPE AG0060 ISSUE 2 NOV 85 AHB LTD.



© 1982

○ WIRING PAD

● BUS BAR

Switches Shown in OUT position.  
Resistors 1/4w 5% unless specified,  
P1 fitted - 8 position (a manuf'c).

ICs 1,2,3,5,6,7, TL072CP.

IC 4 NE5534.

Capacitors C3,7,11,29 not fitted.  
Resistor R24 not fitted.

WIRE COLOUR CODING

Pin 1 ORANGE } AUX O/P  
- 2 BROWN }  
- 3 VIOLET }

ECHO RETURN - BLUE  
STEREO BUSS I/P LEFT - VIOLET  
INSERT SEND - BROWN  
" RETURN - ORANGE

FADER TOP - ORANGE  
- WIPER - BLACK  
LEFT O/P - BLACK  
LEFT TO MON - GREY  
CUE O/P LEFT - BLACK  
--- RIGHT - RED

ALLEN AND HEATH BRENNELL LTD

NEXT:	R	C	FINISH
	85	31	
DRN	RAG	WDS	DATE 2.84.
CHKD	✓	ISSUE	3
TITLE SYSTEM 8 PCB TYPE MASTER			
LEFT. AG0057 HCS 3. MK.II			
SCALE	DRG N° 279 iss. 3		



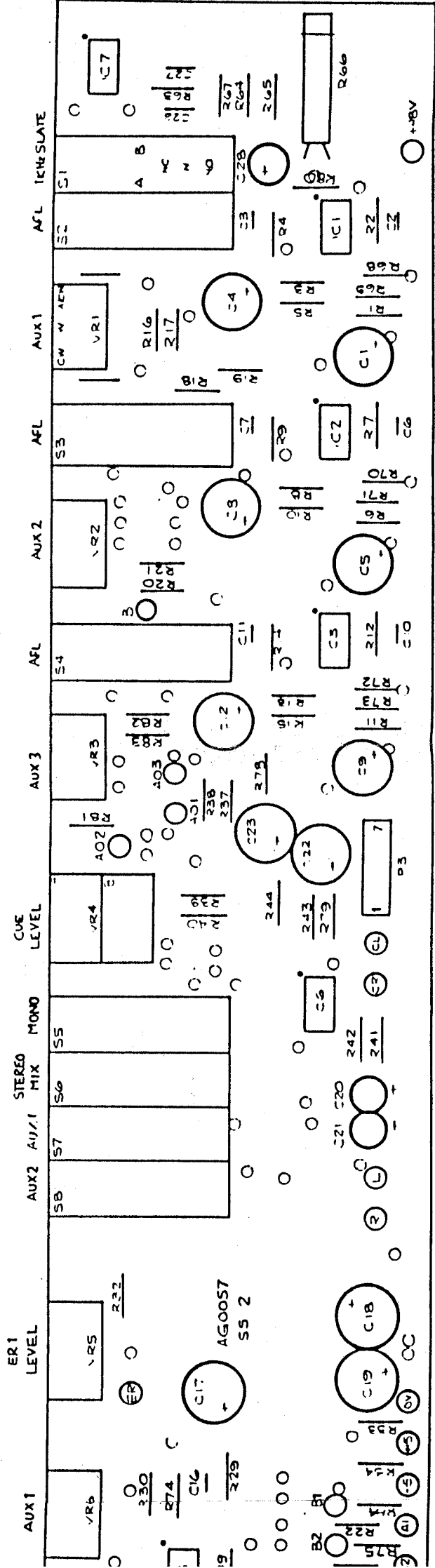
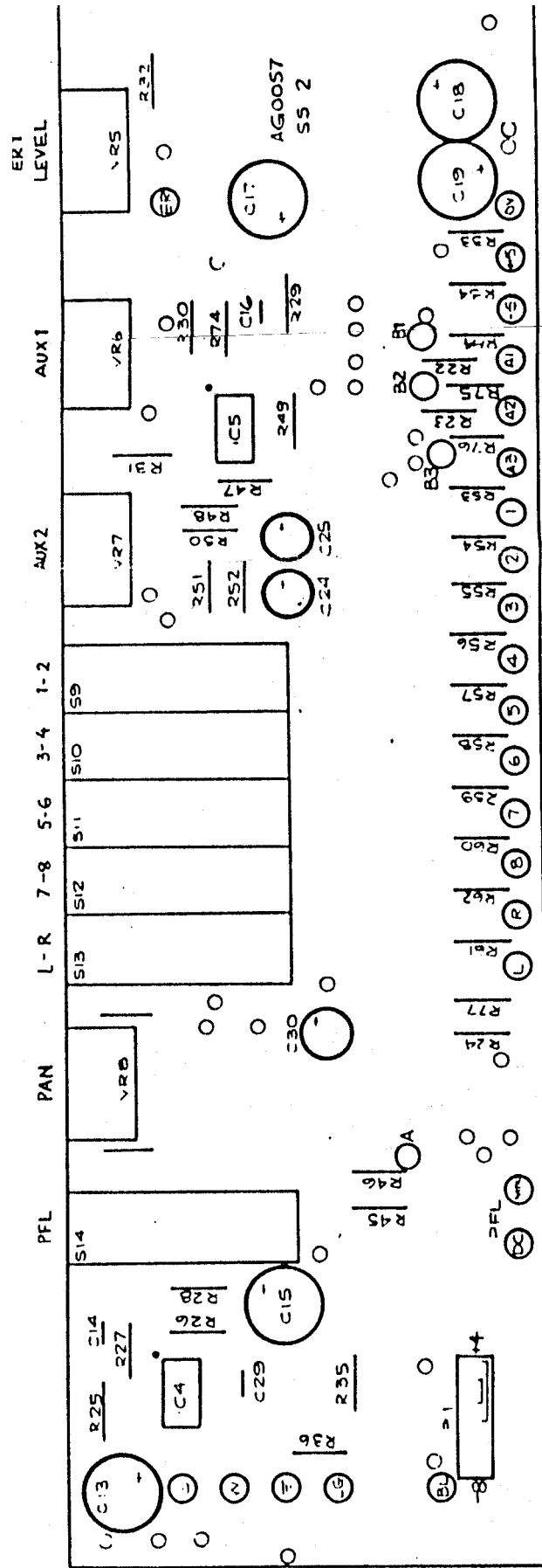
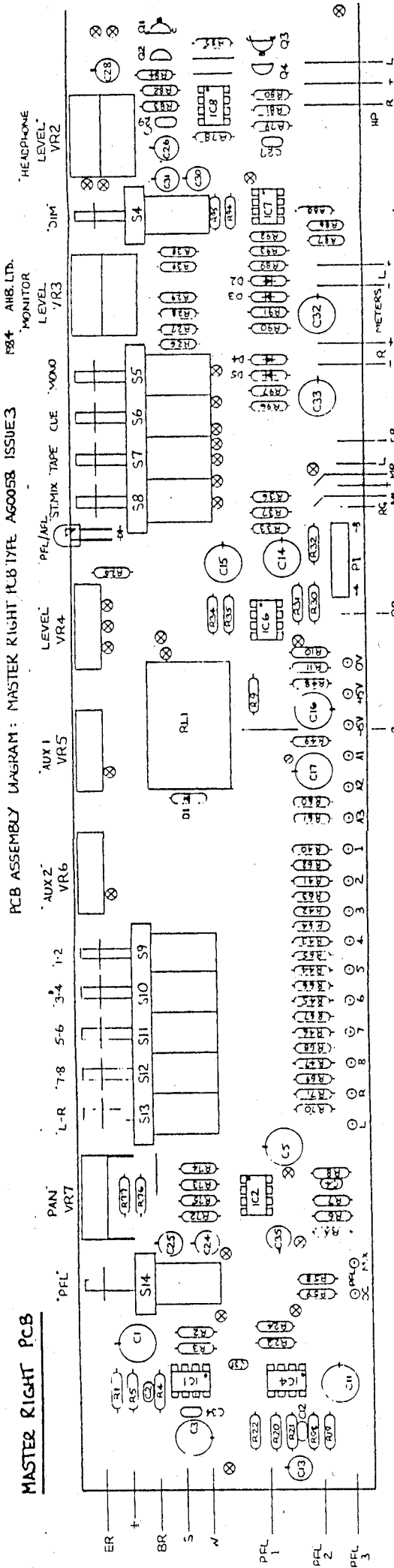


DIAGRAM: MASTER LEFT PCB TYPE AG0057 ISSUE 3 NOV. 1984 AHB LTD.



PCB ASSEMBLY DIAGRAM: MASTER LEFT PCB TYP





**MASTER RIGHT PCB**

PCB ASSEMBLY DIAGRAM: MASTER RIGHT PCB TYPE AG0058 ISSUE 3 F84 AHB LTD.

HEADPHONE LEVEL VR2

MONITOR LEVEL VR3

DIM

PFL/AFL STIMIX TAPE CUE MONO

AUX1 VR5

AUX2 VR6

PAN VR7

PFL

RL1

DIM

S9 S10 S11 S12 S13

C1 C2 C3 C4 C5

IC1 IC2 IC3 IC4 IC5 IC6 IC7 IC8

R1 R2 R3 R4 R5 R6 R7 R8 R9 R10 R11 R12 R13 R14 R15 R16 R17 R18 R19 R20 R21 R22

S4 S5 S6 S7 S8

C32 C33

P1

HP R T L

METERS R L

PFL PR LB

RB R

ER BR S N PFL 1 PFL 2 PFL 3

PCB ASSEMBLY DIAGRAM: MASTER RIGHT RUB TYPE AG005B ISSUE 3

FR4 AHS LTD.

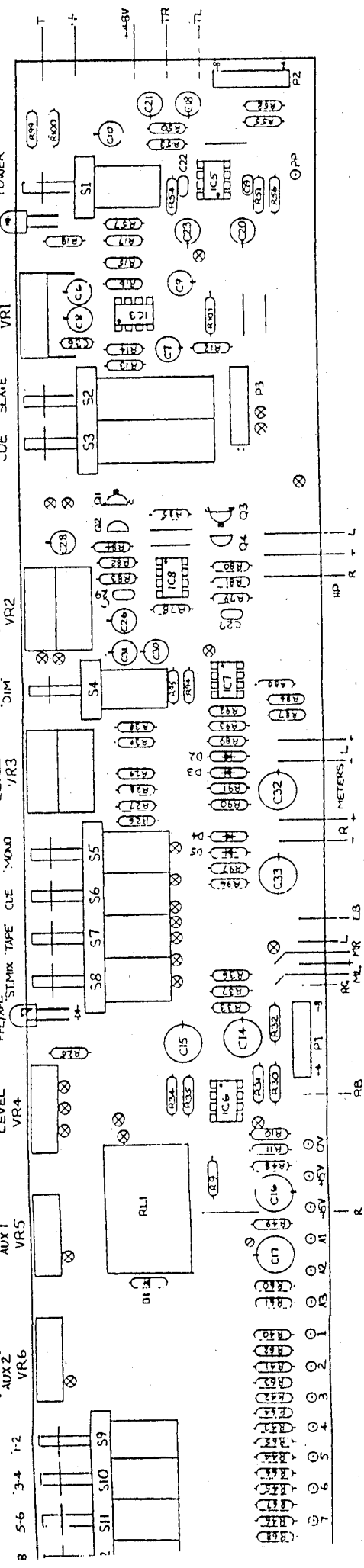
MONITOR LEVEL VR3

HEADPHONE LEVEL VR2

TB CUE SLATE S3

TB LEVEL VRI

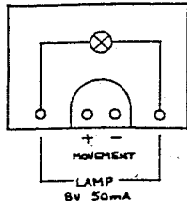
PHANTOM POWER



SYSTEM 8 : METERPOD BUSBAR CONNECTIONS

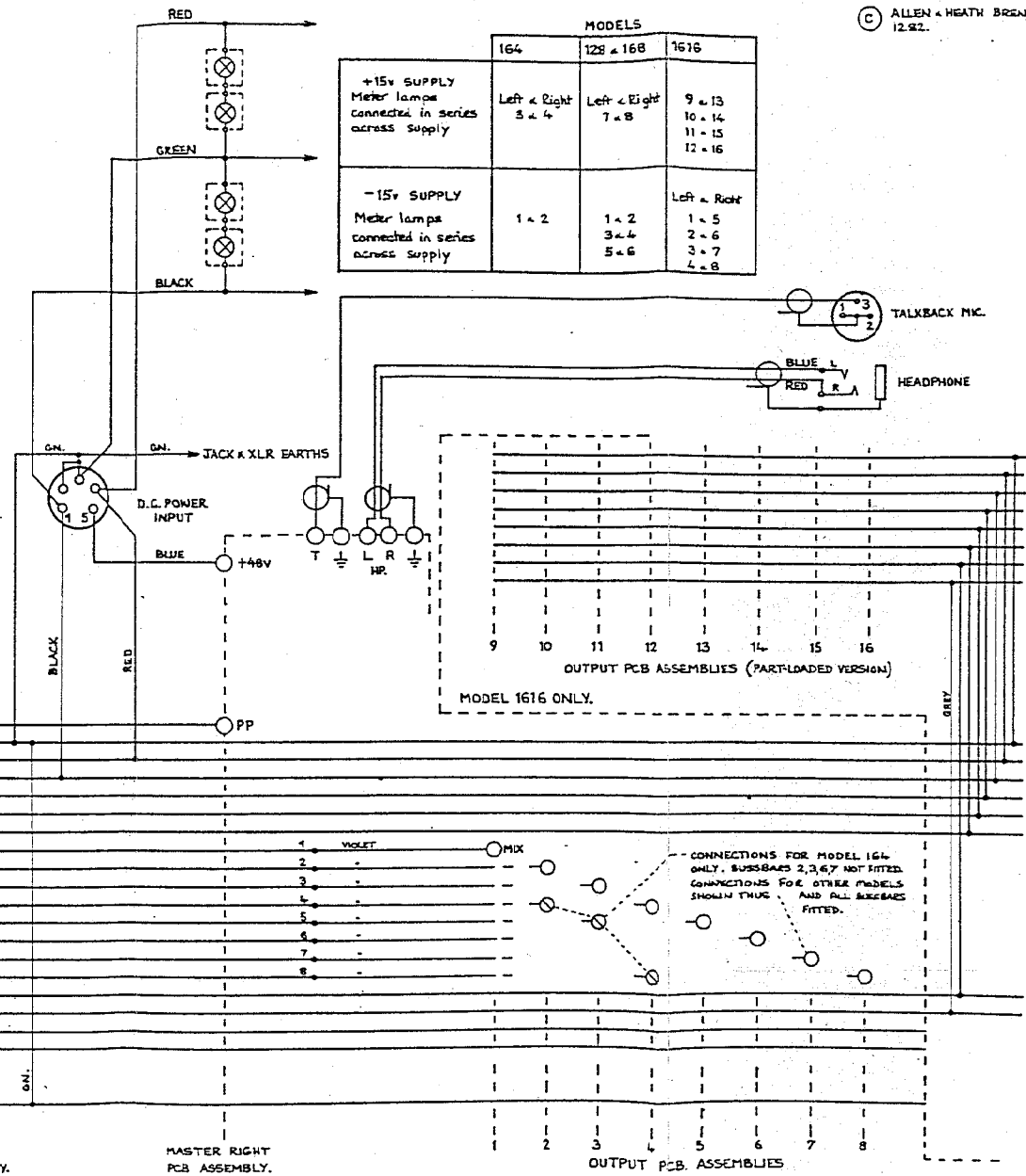
DWG. 282 Iss. 1  
 © ALLEN & HEATH BRENNELL LTD.  
 12.82.

DRG. No. 282 Iss. 1



METER TYPE SG10

	MODELS		
	164	128 & 168	1616
<b>+15v SUPPLY</b> Meter lamps connected in series across supply	Left & Right 3 & 4	Left & Right 7 & 8	9 & 13 10 & 14 11 & 15 12 & 16
<b>-15v SUPPLY</b> Meter lamps connected in series across supply	1 & 2	1 & 2 3 & 4 5 & 6	Left & Right 1 & 5 2 & 6 3 & 7 4 & 8



COMMON BUSBARS	
FUNCTION	CODE
PHANTOM POWER SUPPLY +48V.	P.
ELECTRONIC SUPPLY 0v.	0v.
"    +15v.	+15v.
"    -15v.	-15v.
AUXILIARY MIX 1	A1.
"    2	A2.
"    3	A3.
OUTPUT MIX 1	1.
"    2	2.
"    3	3.
"    4	4.
"    5	5.
"    6	6.
"    7	7.
"    8	8.
STEREO MIX LEFT	L.
"    RIGHT	R.
PRE-FADE LISTEN MIX	PFL MIX
"    D.C.	PFL D.C.
FADER EARTH	-

CONNECTIONS FOR MODEL 164  
 ONLY. BUSBARS 2,3,6,7 NOT FITTED.  
 CONNECTIONS FOR OTHER MODELS  
 SHOWN THUS AND ALL BUSES  
 FITTED.

INPUT PCB ASSEMBLIES      MASTER LEFT PCB ASSEMBLY      MASTER RIGHT PCB ASSEMBLY      OUTPUT PCB ASSEMBLIES

No.	DESCRIPTION	CHKD	APPD	DATE
REVISIONS				

SYSTEM 8 Mk. II  
 ALLEN & HEATH BRENNELL LTD.

METERPOD & BUSBAR CONNECTIONS

DRAWN	TRACED	CHECKED	APPROVED	DATE	SCALE
R		R	R	2.84	

DRAWING No. 282 issue 1